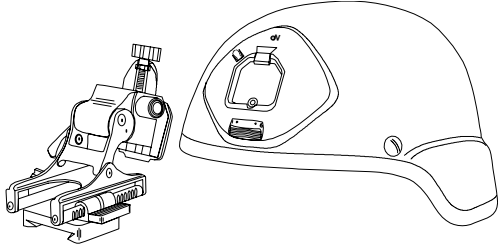


OPERATOR'S MANUAL

**NOROTOS NIGHT VISION
HELMET MOUNT SYSTEM**



Titanium Advanced Tactical Helmet Mount Assembly

Norotos Assembly Part No. 1724010-03

NSN # 5855-01-523-8363

Titanium Advanced Tactical Helmet Mount

Norotos Part No. 1723010

Low Profile NVD-NODS Interface 1-Hole Shroud

Norotos Part No. 1726010



TABLE OF CONTENTS

| | |
|---|------|
| Attaching the Helmet Bracket-Shroud to a One Hole Helmet | Pg 3 |
| Attaching the Helmet Mount to the Helmet Bracket-Shroud | Pg 4 |
| Releasing the Helmet Mount from the Helmet Bracket-Shroud | Pg 5 |
| Attaching the NVD/NODS to the Helmet Mount | Pg 6 |
| Adjustments, Operations & Use of the Helmet Mount | Pg 7 |
| Preventative Maintenance Acronyms & Abbreviations | Pg 8 |

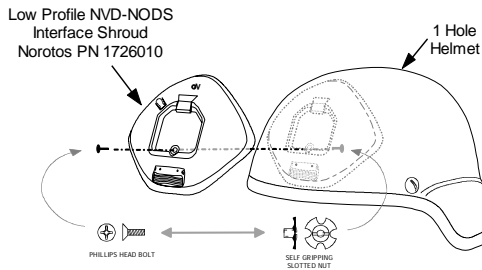
Norotos, Inc.

201 EAST ALTON AVENUE
SANTA ANA, CA. 92707
Phone: 714-662-3113
Fax: 714-662-7950
E Mail: info@norotos.com
www.norotos.com

Norotos, Inc. 1724010-03 [CN1749] Rev B 4-27-09
NSN #5855-01-523-8363



**LOW PROFILE NVD-NODS
INTERFACE SHROUD ATTACHMENT**

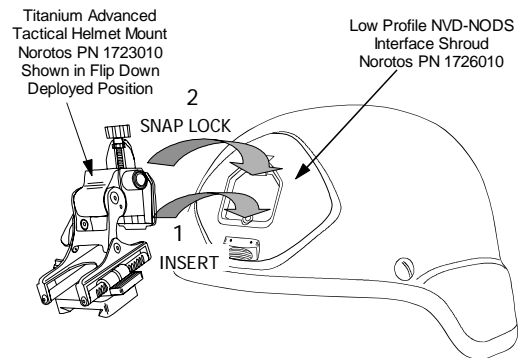


One Hole Shroud Attachment: Insert the supplied slotted nut [female] in the hole from inside the helmet. Place the supplied bolt [male] into the bracket-shroud hole. Visually align the bottom of the bracket-shroud parallel to the helmet front edge. Line up the shroud-bracket hole with the helmet hole. Align the bolt and nut. Slowly tighten the bolt with a Phillips screw driver as you align and seat the bracket-shroud to the helmet contour. Finish tightening when seated and aligned. Periodic re-tighten is strongly recommended, especially when exposed to high temperatures [summer or desert conditions].



**TITANIUM ADVANCED TACTICAL HELMET
MOUNT ATTACHMENT TO THE 1 HOLE
LOW PROFILE NVD-NODS INTERFACE
SHROUD**

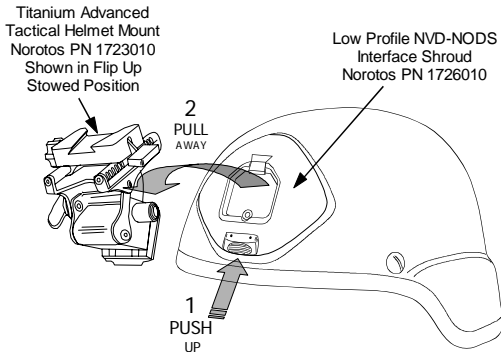
Safety Locking Attachment: [1] Push the bottom of the helmet mount into the bottom of the NVD-NODS Interface Shroud. [2] Push the top of the mount back until it snaps into the lock.





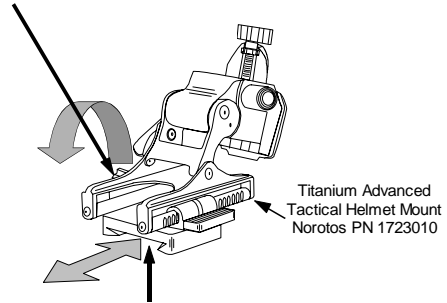
TITANIUM ADVANCED TACTICAL HELMET MOUNT DISCONNECT FROM THE 1 HOLE LOW PROFILE NVD-NODS INTERFACE SHROUD

Easy & Safe Disconnect: [1] Push the button on the lower part of the Low Profile NVD-NODS Shroud with your thumb, and with your fingers on the mount [2] rotate the unit down and pull away from the helmet.



ATTACHING AND RELEASING NVD-NODS TO & FROM THE TITANIUM ADVANCED TACTICAL HELMET MOUNT

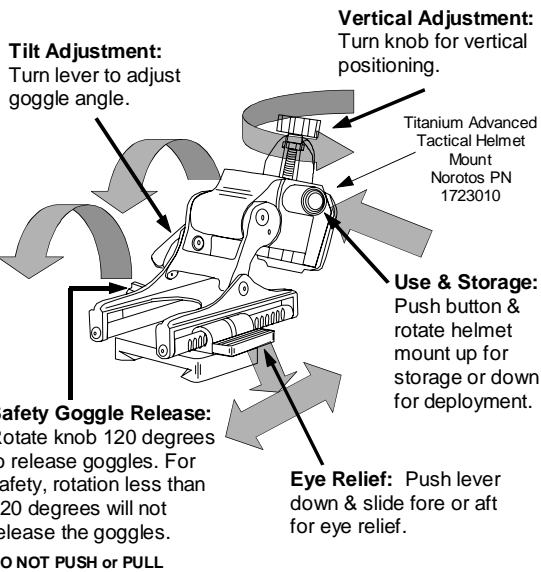
Releasing NVD-NODS [AN/PVS-15A] from the Helmet Mount: Rotate the safety release knob 120 degrees and pull the NVD-NODS away from the mount. For safety, rotation less than 120 degrees will not release the goggles.



Attaching NVD-NODS [AN/PVS-15A] to the Helmet Mount: Line up the NVD-NOD approximately level with your eyes. Slide the dovetail attach point on top of the NVD-NODS into the dovetail on the bottom of the helmet mount until it locks.



ADJUSTMENTS, OPERATIONS & USE OF THE HELMET MOUNT



PREVENTATIVE MAINTENANCE

LOW PROFILE NVD-NODS INTERFACE SHROUD

Check for foreign material in the bottom mounting slot. Clean out the slot using any small thin object as necessary.

Check bottom push button release & upper lock for operation. Check for foreign material and remove as necessary.

As necessary, clean Helmet Shroud thoroughly using a rag, brush and or soap and water.

Periodic re-tighten is strongly recommended, especially when exposed to high temperatures [summer or desert conditions].

TITANIUM ADVANCED TACTICAL HELMET MOUNT

Check all adjustments for full operational use.

Check for foreign material binding any adjustments and clean as necessary.

Check for foreign material in dovetail NVD-NODS mounting location. Clean out the dovetail using any small thin object as necessary.

As necessary, clean Helmet Mount thoroughly using a rag, brush and or soap and water.

ACRONYMS & ABBREVIATIONS

NVD-Night Vision Device

NODS-Night Observation Device

Both NVD & NODS same meaning - different field acronyms